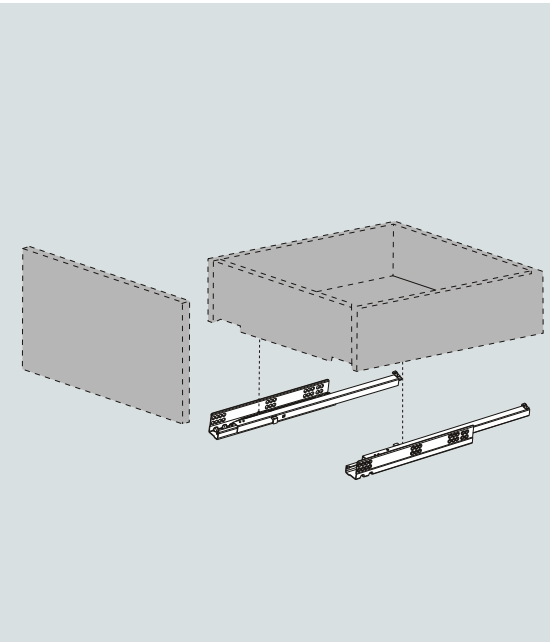
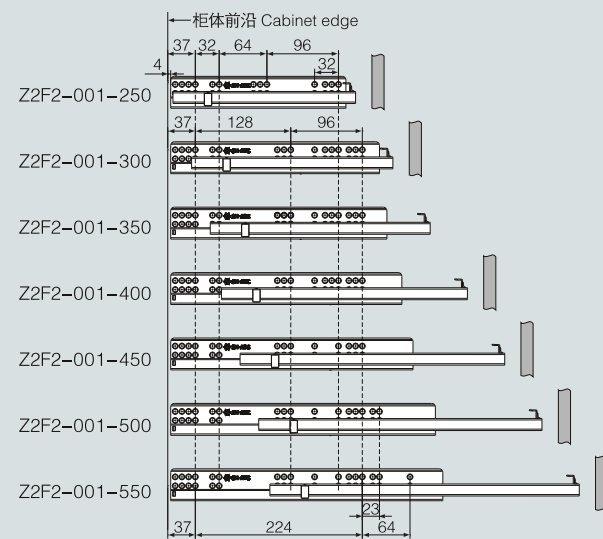




- 隐藏式、静音式
 - 载重: 25kg
 - 材料: 镀锌板
 - 材料厚度(上、下)轨: 1.4x1.4mm
 - 无需工具, 抽屉可快速安装与拆卸
 - 静音系统, 滑轨运动顺畅
 - 抽屉高度可调节0-4mm
 - 缓冲功能, 平缓关闭
- Concealed, quiet movement
 - Dynamic load capacity: 25kg
 - Material: galvanized steel
 - Material thickness: 1.4x1.4mm
 - Tool-free quick installation
 - Quiet system guarantee the slide run smoothly without noise
 - Drawer height is adjustable for 0-4mm
 - Soft-closing function make the drawer close safely without effect of weight

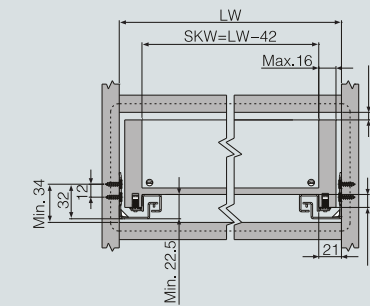
柜体滑轨安装孔尺寸 Hole pattern



产品型号 Item No.	标称长度NL (mm) Nominal length	拉出长度 (mm) Travel length	抽屉长度 Drawer length	包装(套/箱) Packing (Set/Box)
Z2F2-001-250	250	156	240	10
Z2F2-001-300	300	206	290	10
Z2F2-001-350	350	256	340	10
Z2F2-001-400	400	286	390	10
Z2F2-001-450	450	336	440	10
Z2F2-001-500	500	386	490	10
Z2F2-001-550	550	418	540	10

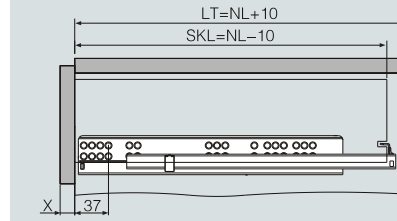
柜体所需空间 Space required

SKW: 抽屉净宽 Drawer width
LW: 柜体净宽 Inside net width
Max.: 最大尺寸
Mix.: 最小尺寸



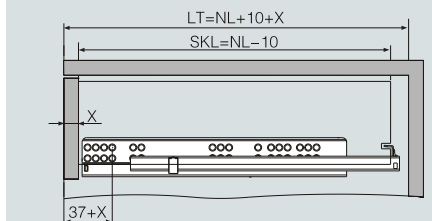
外置抽屉 Standard drawer

NL: 标称长度 Nominal length
SKL: 抽屉长度 Length of drawer
LT: 最小柜深 Min cabinet depth



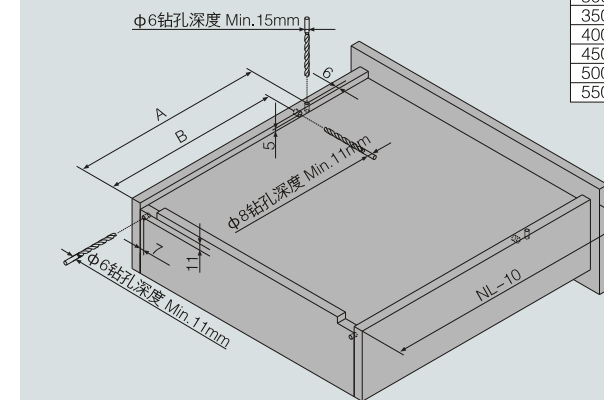
内置抽屉 Inner drawer

NL: 标称长度 Nominal length
SKL: 抽屉长度 Length of drawer
LT: 最小柜深 Min cabinet depth
X: 面板厚度 Thickness of the front panel



抽屉后板开槽打孔尺寸 Hole size on rear panel of the drawer

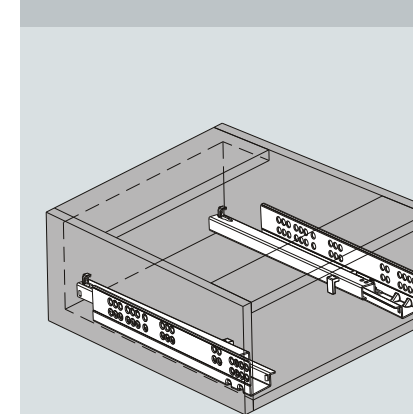
NL: 标称长度 Nominal length
Min.: 最小尺寸



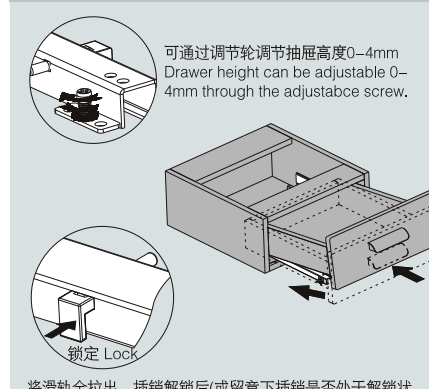
NL (mm)	A (mm)	B (mm)
250	220	188
300	245	213
350	270	238
400	305	273
450	330	298
500	355	323
550	390	358

装卸调试步骤说明 Installation instruction

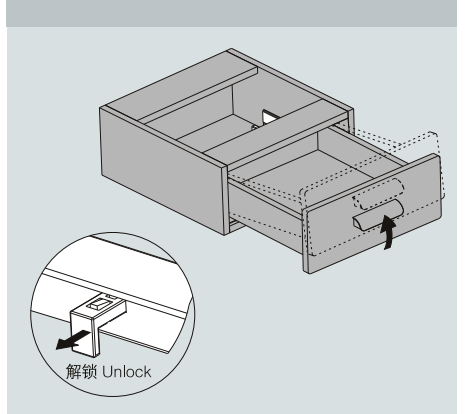
滑轨安装 Installation of the slides



抽屉安装与调节 Installation of the drawer and adjustment



抽屉拆卸 Removal of the drawer



将滑轨全拉出, 插销解锁后(或留意下插销是否处于解锁状态), 把抽屉与滑轨上的定位块对准放下, 然后将插销锁定, 再将抽屉水平推入柜体, 抽屉即可关闭。
Fully open the slides, make sure the lock in the unlocked station, push the drawer down on the slides, then close the drawer.

将抽屉全拉出, 侧插销解锁后, 抽屉按箭头方向向上提, 即可拆卸。
Fully pull out the drawer, lift it according to the direction of the arrow, the drawer can be demounted easily.